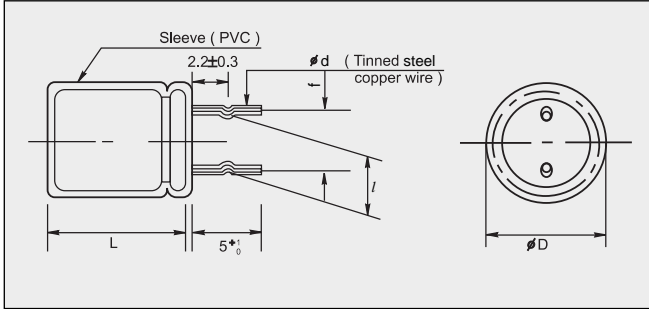


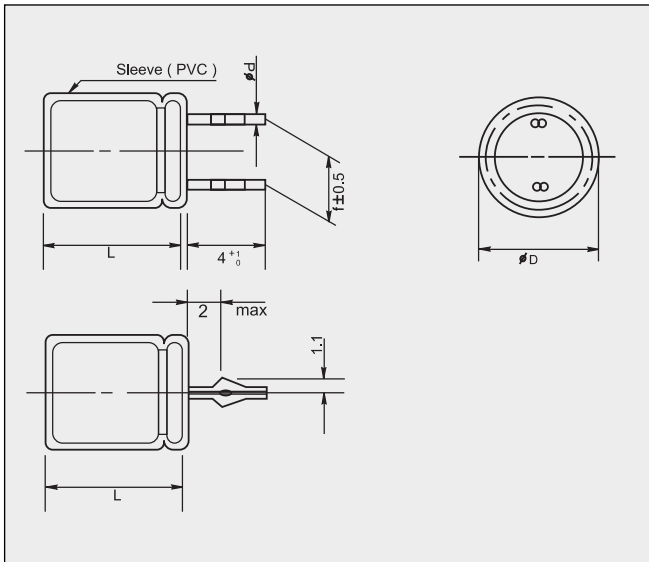
LEAD CUT AND FORMING

SNAP-IN CUT

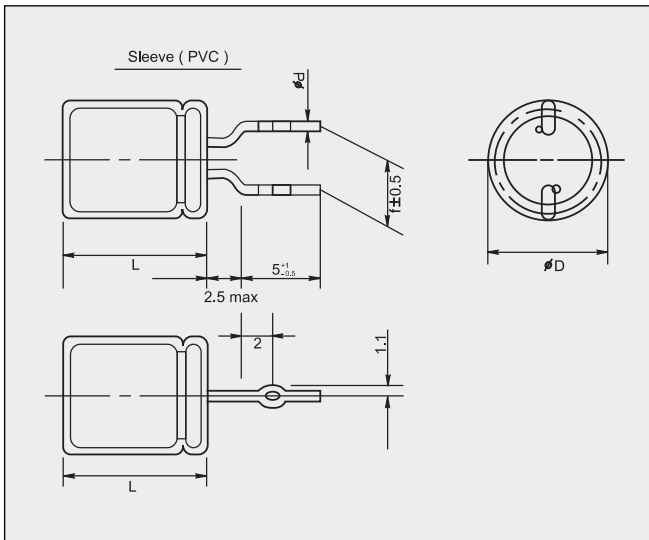
1. SNAP-IN CUT Type : Forming Symbol "S1"(10~18 ϕ)



2. SNAP-IN Cut Type : Forming Symbol "S2"(10~18 ϕ)

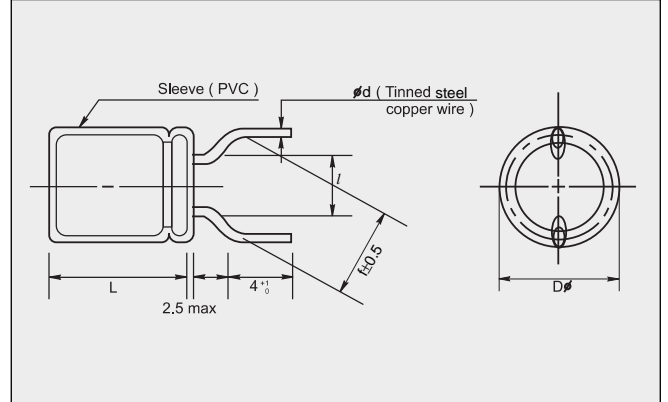


3. SNAP-IN Forming Cut Type : Forming Symbol "S3" (4~8 ϕ)



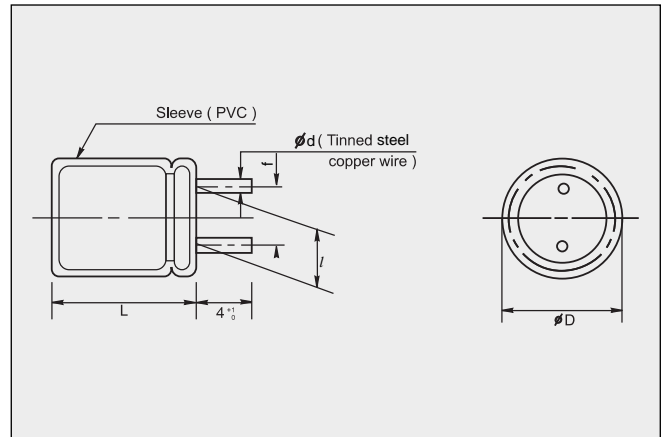
FORMING CUT TYPE

4. Forming Cut Type : Forming Symbol "FC" (4~8 ϕ)



STRAIGHT CUT TYPE

5. Straight Cut Type : Forming Symbol "C" (10~18 ϕ)



Case dia.(ϕ D)	4	5	6.3	8	10	13	16	18
Lead	f				5±0.5		7.5±0.5	
space	l				5±0.5		7.5±0.5	
Applicable Fig.	③ ④				① ② ⑤			
Lead wire dia(ϕ d)	0.45	0.5	0.6		0.8			

Code		
Item	Symbol	Code
Snap-in cut	S1	S1A(10~13 ϕ)
		S1B(16~18 ϕ)
	S2	S2A(10~13 ϕ)
S2B(16~18 ϕ)		
S3	S3A(4~8 ϕ)	
Forming cut	FC	FCF(4~8 ϕ)
Straight cut	C	CJ(10~18 ϕ)

All dimensions are in millimeters.